

UNLESS OTHERWISE DENOTED:

CAPACITORS MORE THAN 1-MMF  
CAPACITORS LESS THAN 1-MMF  
RESISTORS-K=1,000

-M=1,000,000

DC VOLTAGE AT 117 V LINE TO  
B-W/20,000Ω/VOLT METER.  
ARROWS INDICATE CLOCKWISE  
ROTATION.

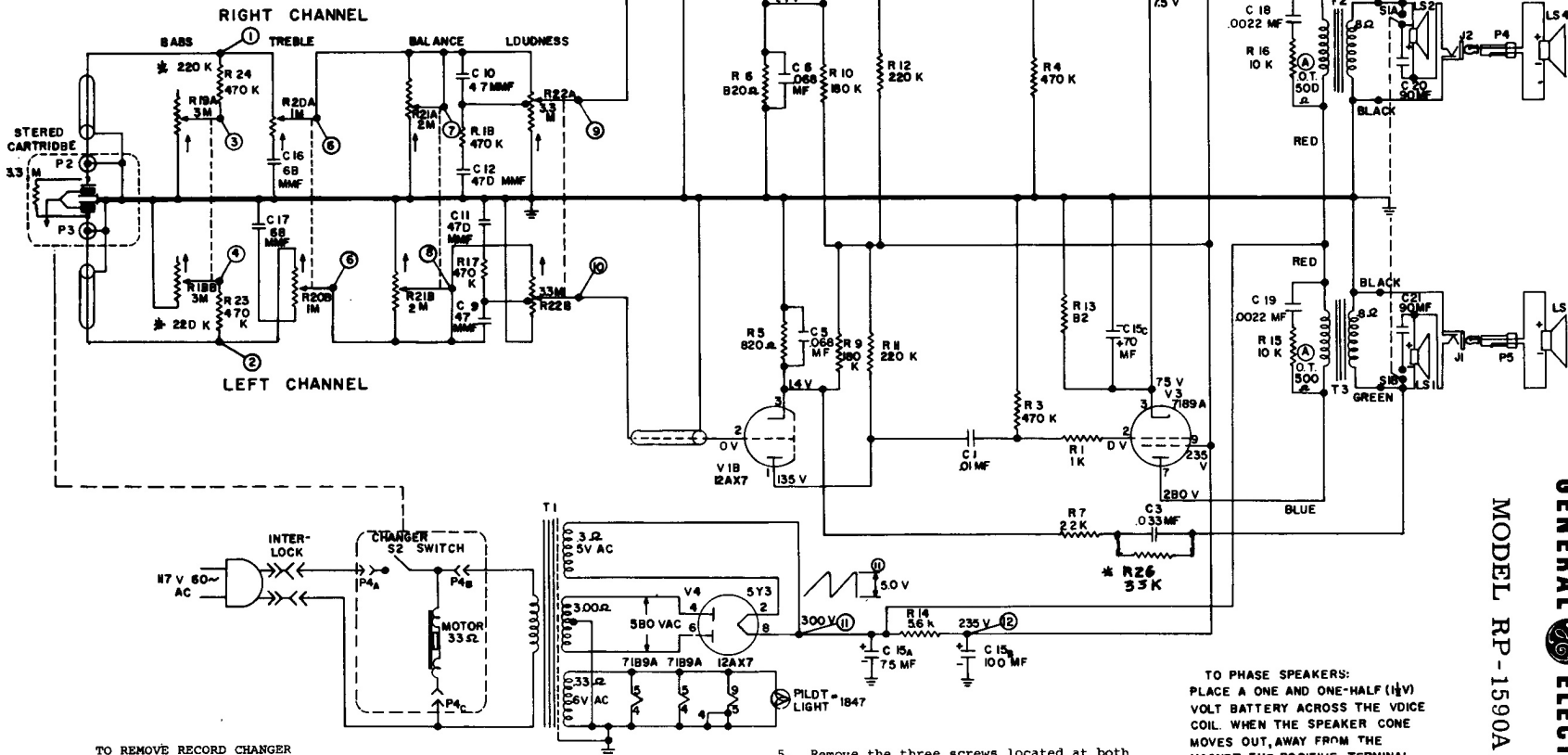
○ CIRCLES INDICATE TEST POINTS

① SCOPE SYNCED AT (1/2) ONE-HALF  
THE VERTICAL FREQUENCY.

② RIPPLE VOLTAGE NOT MEASURABLE  
WITH STANDARD SERVICING EQUIPMENT.

Ⓐ Q.T.=OUTPUT TRANSFORMER

\* RP15090C ONLY



TO REMOVE RECORD CHANGER

1. Remove the three screws on the tube replacement cover and remove the cover.
2. Remove the two screws on the metal amplifier cover and remove the cover by pulling up on the tab provided on the back side and lift the cover out.
3. Reach under the motor board and flip the right side shipping screw clip to a vertical position. Lift the right side of the changer to clear the shipping screw clip and slip the left shipping screw through the slotted hole in the motor board to clear the changer. Rest the changer on its back edge in the compartment.

4. Remove the signal and power plugs from the changer.
5. Remove the changer from the cabinet.

TO REMOVE CHASSIS

1. Follow steps 1 through 5 as described in "To Remove Record Changer."
2. Remove the control knobs, (pull up).
3. Remove the three screws on the control panel escutcheon and remove the escutcheon.
4. Remove the screw on the perforated back cover and remove the cover.

5. Remove the three screws located at both ends and front center of the control panel mounting board and remove the board.
6. Remove the two 5/16 inch nuts holding the control panel to the mounting board.
7. Unsolder the four (4) leads on the expanded stereo switch.
8. Remove the screws holding the lead dresser and electrolytic.
9. Remove the three 5/16 inch nuts holding the amplifier chassis.
10. Remove the two 5/16 inch nuts holding the left and right channel output jacks at the rear of the compartment.

TO PHASE SPEAKERS:  
PLACE A ONE AND ONE-HALF (1½)  
VOLT BATTERY ACROSS THE VOICE  
COIL. WHEN THE SPEAKER CONE  
MOVES OUT, AWAY FROM THE  
MAGNET, THE POSITIVE TERMINAL  
ON THE BATTERY IS THE PLUS SIDE  
OF VOICE COIL AS INDICATED ON  
SCHEMATIC.

11. Remove the screws holding the interlock.
12. Remove the pilot light socket from the clip, (pull up).
13. Unsolder the speaker leads, and label to assure the correct speaker phasing when reassembling the set.
14. Remove the chassis from the cabinet.

MODEL RP-1590A, C

GENERAL  
ELECTRIC